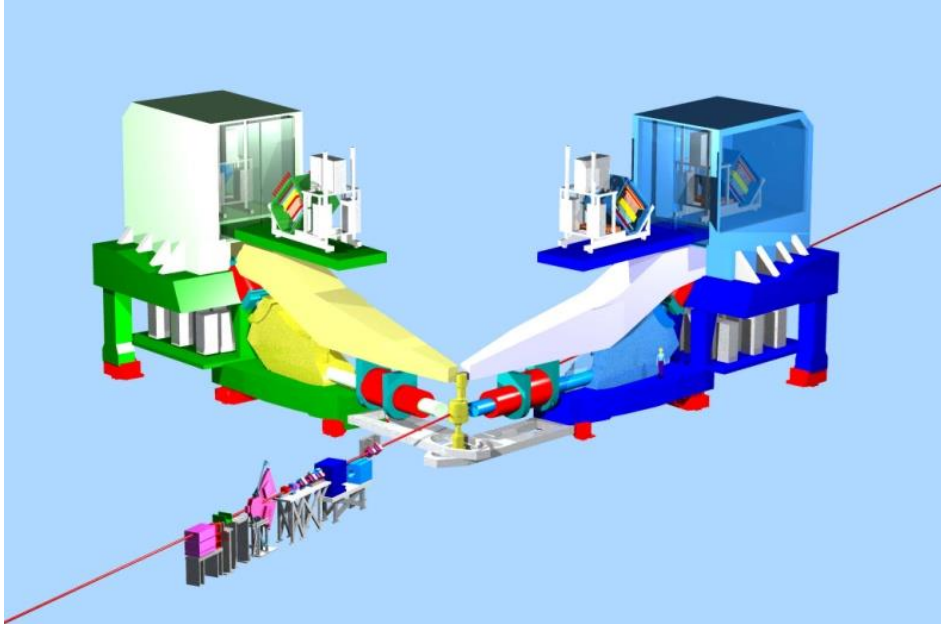


Left HRS Detector/DAQ Restoration



R. Michaels

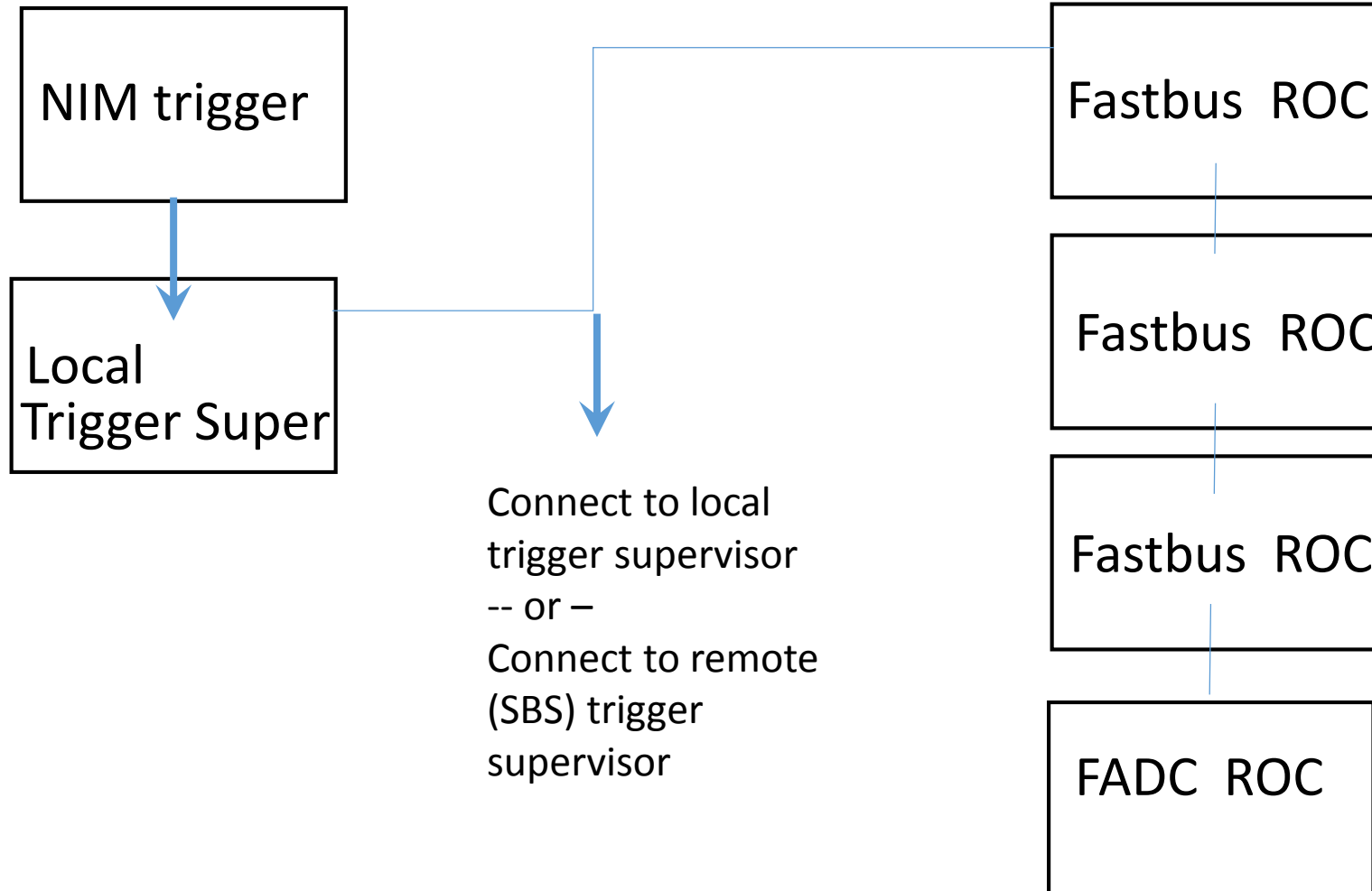
J. Segal

SBS Meeting, Aug 2019

- Currently running PREX / CREX until May 2019
- The VDCs are running fine. Other detectors removed.
- PREX – specific detectors like Quartz bars are currently deployed.
- The DAQ components we'll need for SBS are currently in place and being used for counting-mode (measuring Q^2)
- **To do for SBS:**
 - Re-install detectors
 - Re-establish a standard trigger
 - Couple the L-HRS DAQ to the rest of the DAQ

SBS DAQ Synch Checks

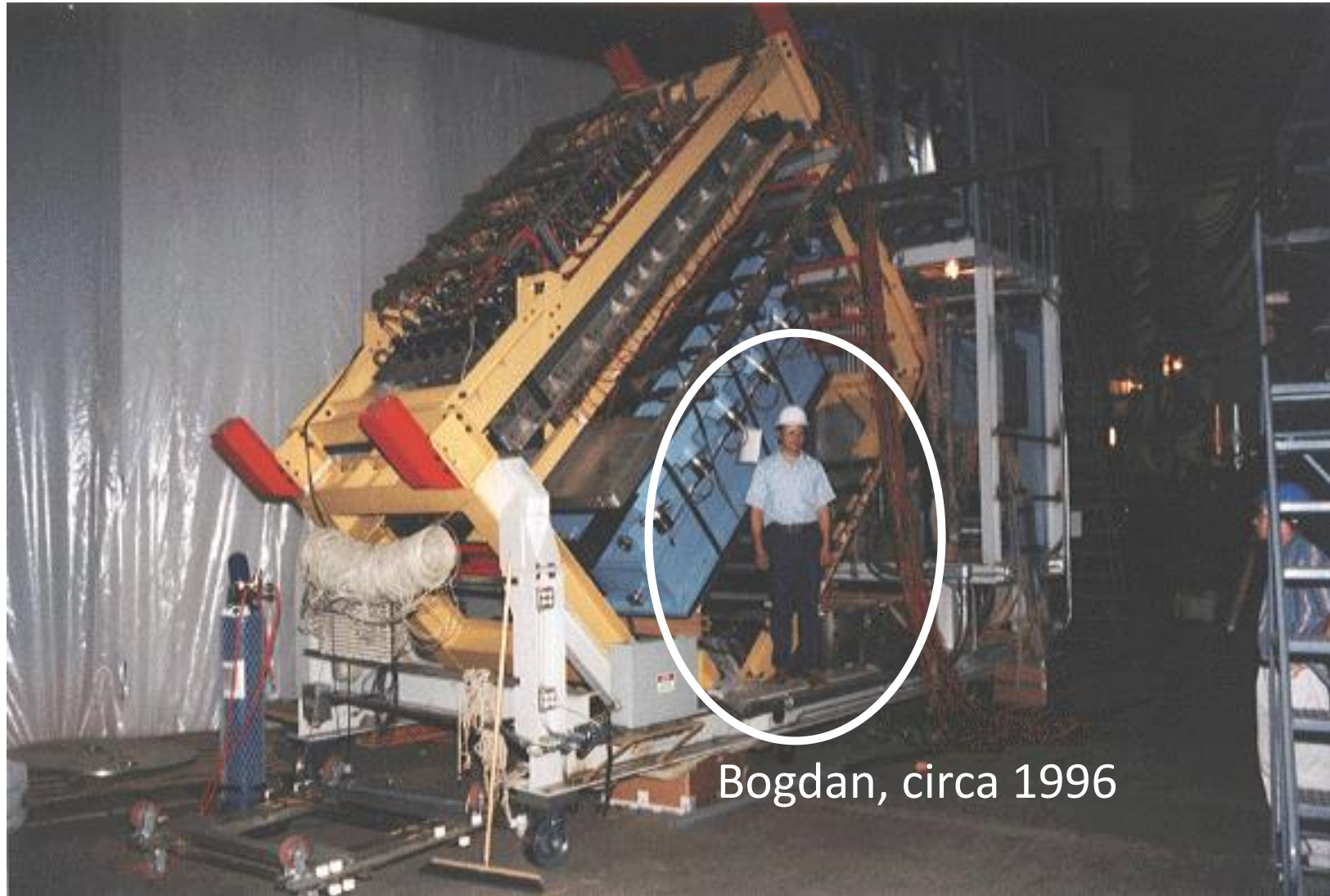
Bob Michaels, August 2019



Putting the detectors back Jack's job, then we need to cable it up, form trigger, etc.



Putting the detectors back Jack's job, then we need to cable it up, form trigger, etc.



Bogdan, circa 1996