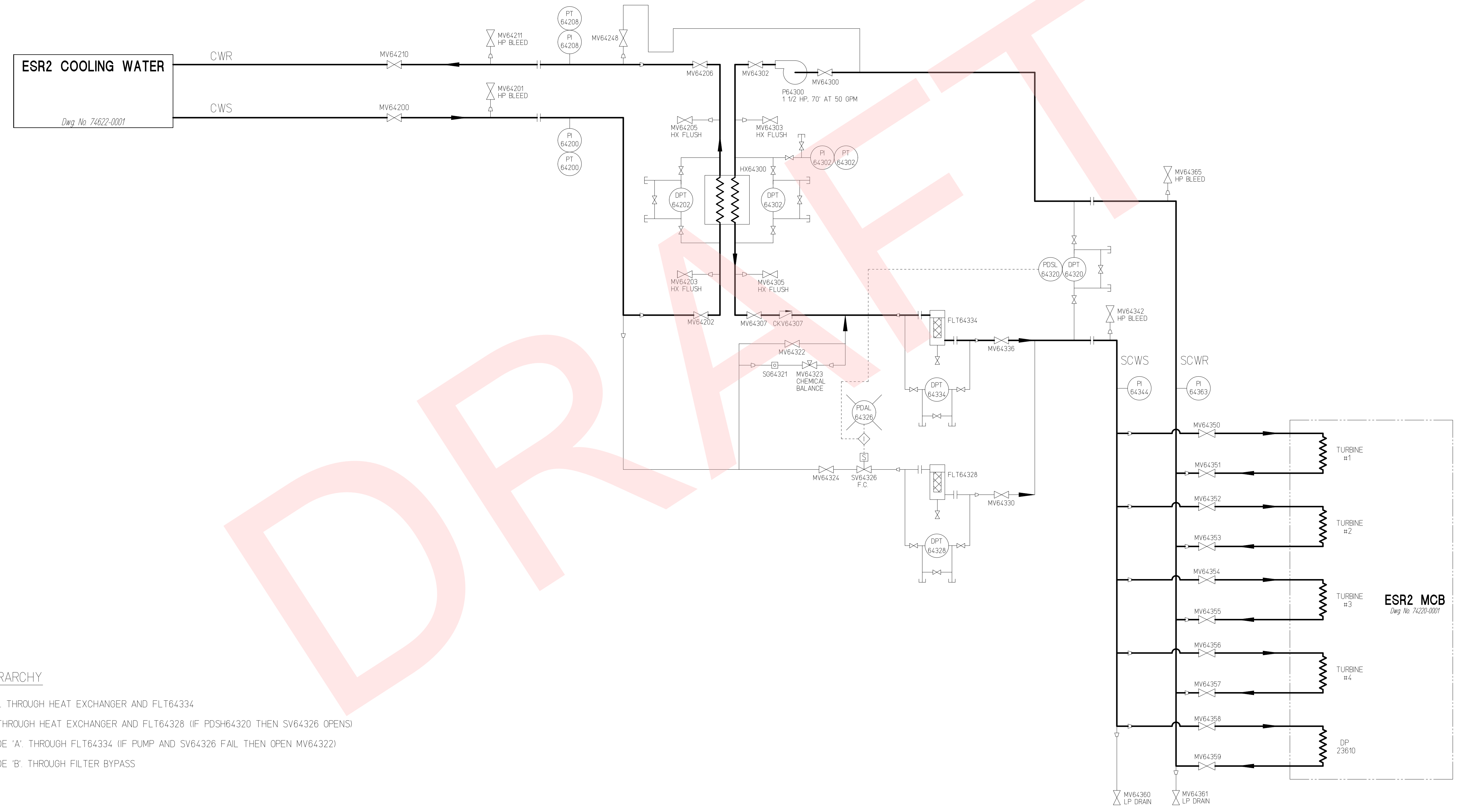


ABBREVIATION TABLE	
CWR	COOLING WATER RETURN
CWS	COOLING WATER SUPPLY

REVISION HISTORY				
ZONE	REV	DESCRIPTION	DATE	APPROVED



MODE HIERARCHY

1. PUMP MODE. THROUGH HEAT EXCHANGER AND FLT64334
2. SV MODE. THROUGH HEAT EXCHANGER AND FLT64328 (IF PDSH64320 THEN SV64326 OPENS)
3. TOWER MODE 'A'. THROUGH FLT64334 (IF PUMP AND SV64326 FAIL THEN OPEN MV64322)
4. TOWER MODE 'B'. THROUGH FILTER BYPASS

NOTES:

1. THIS P&I IDENTIFIES THE EQUIPMENT REQUIRED TO SUPPLY COOLING WATER TO THE ESR2 MAIN COLD BOX.

DIM & TOL PER ASME Y14.5 UNLESS OTHERWISE SPECIFIED DIMENSIONS ARE IN INCHES TOLERANCES ARE: FRACTIONS DECIMAL ANGLES X ± N/A ± N/A ± N/A XX ± N/A ± N/A ± N/A XXX ± N/A ± N/A ± N/A	MATERIAL	N/A	U.S. Department of Energy Office of Science Operated by Jefferson Science Associates, LLC
	FINISH MACHINED SURFACES DEBURR & BREAK ALL SHARP EDGES UNLESS OTHERWISE NOTED		
THIRD ANGLE PROJECTION	DO NOT SCALE DRAWING	SCALE	SIZE DWG. NO. D 74622-0002
	DRAWN C. BUTLER	DATE 08MAR19	REV. - SHEET 1 OF 1